

Yusynth ADSR

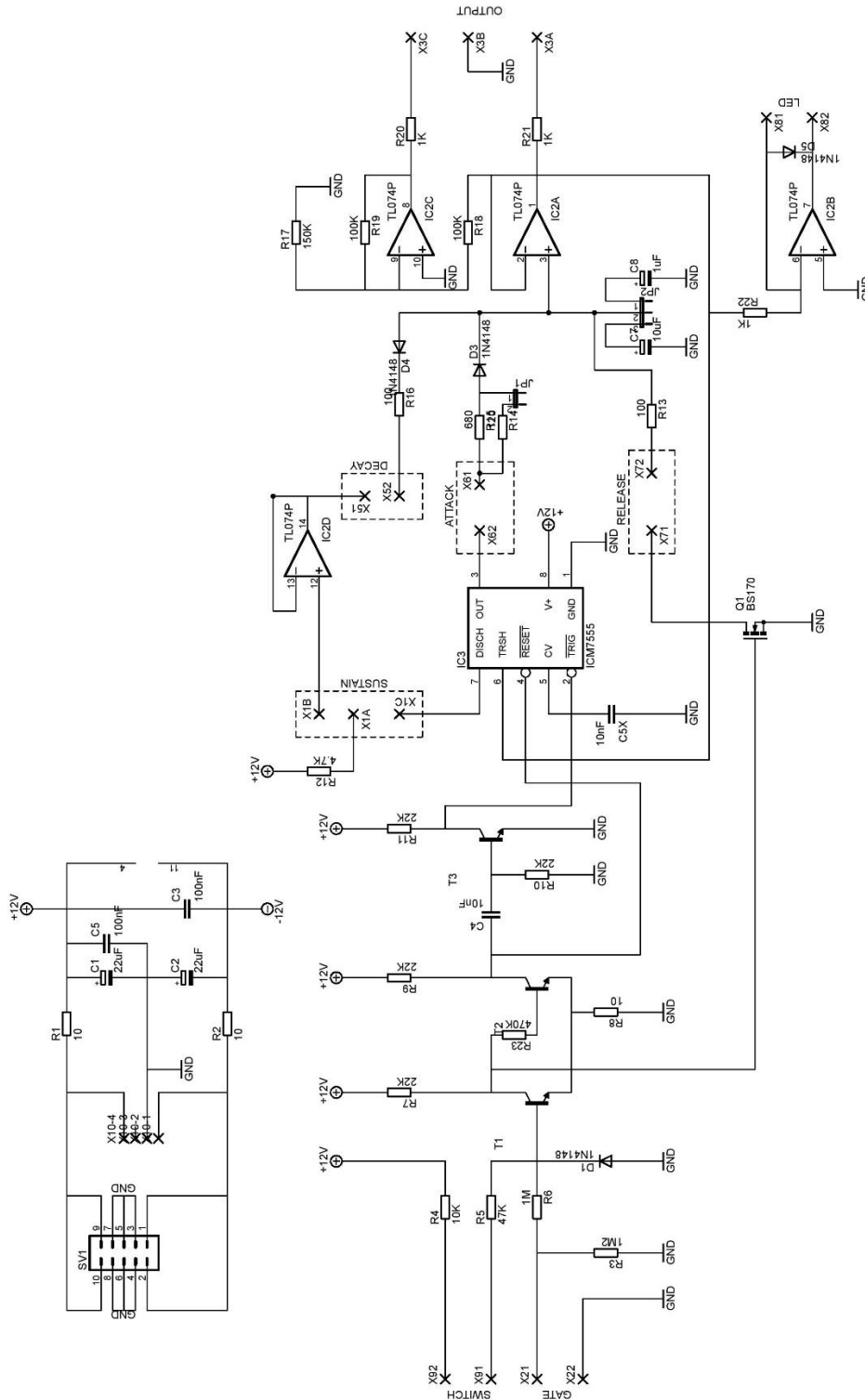
Schematic

November 2016 – KarnEvil9



Yusynth ADSR

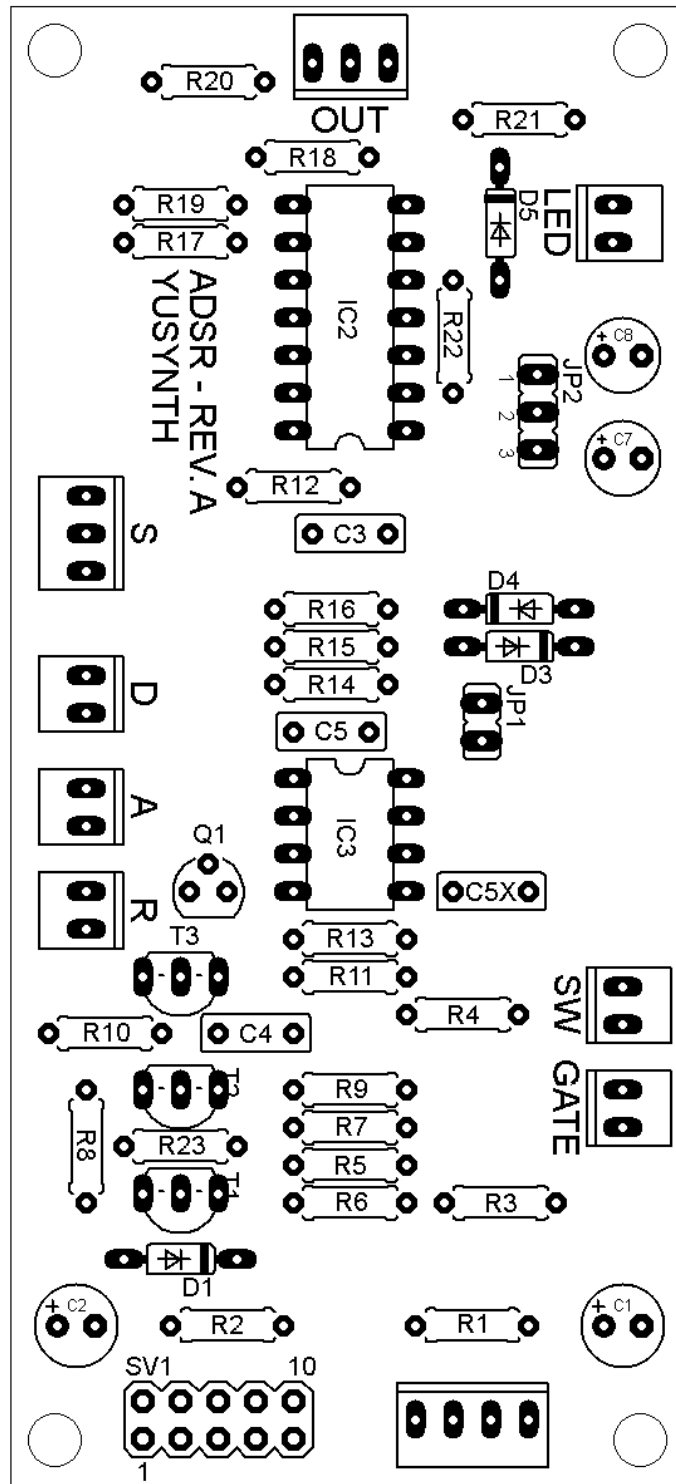
Schematic



LET OP: D5 moet omgedraaid worden!



Yusynth ADSR
PCB Layout



LET OP: D5 moet omgedraaid worden!



Yusynth ADSR

BOM List

Qty	Value	Parts
1	Jumper	JP1
1	Jumper	JP2
3	10	R1, R2, R8
2	100	R13, R16
2	100K	R18, R19
1	10K	R4
1	120	R14
1	150K	R17
3	1K	R20, R21, R22
1	1M	R6
1	1M2	R3
4	22K	R7, R9, R10, R11
1	4.7K	R12
1	470K	R23
1	47K	R5
1	680	R15
2	22uF	C1, C2
2	100nF	C3, C5
2	10nF	C4, C5X
1	10uF	C7
1	1uF	C8
4	1N4148	D1, D3, D4, D5
3	BC547	T1, T2, T3
1	BS170	Q1
1	ICM7555	IC3
1	TL074P	IC2
3	1M Log	POT1, POT2,POT3
1	10K Lin	POT4

Yusynth ADSR



Yusynth ADSR Wiring

